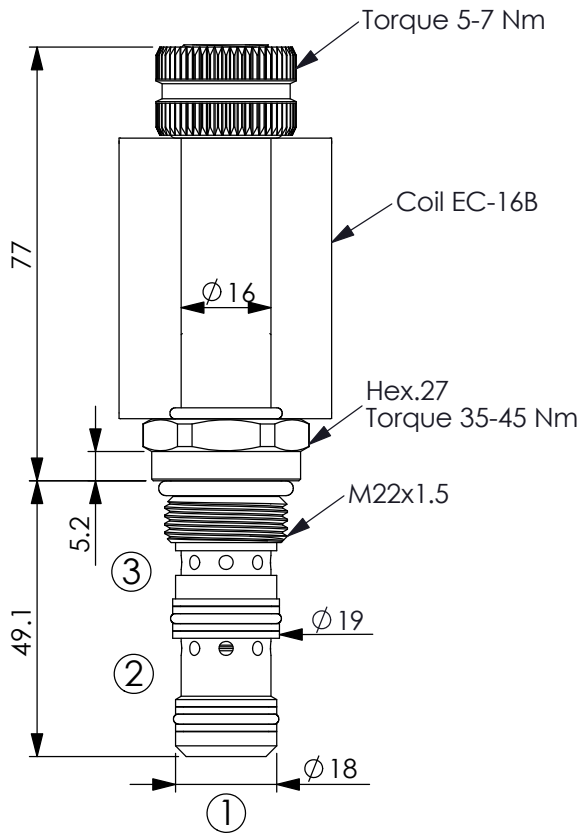


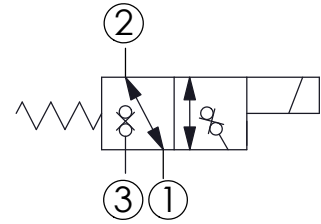
SOLENOID OPERATED VALVE

(Direct-Acting Poppet 3-Way 2-Position Cartridge Style)

Ordering Code: **EP-22M-X-Y-Z-04**



UNIT:mm



TECHNICAL DATA

Max.Operating pressure: 230 bar

Rated flow: 20 l/min
See Performance Chart

Response Time Opening 25-40 ms
(2 → 3, 2 → 1) Closing 50-90 ms

Cavity-Tooling: 22M-3

Max.Installation torque: 35-45 Nm

Weight: 0.44 kg

Fluids-Temperatures: -40~120 °C

Internal Leakage: 0.15cc/minute

(3 drops/minute) max.at 210 bar

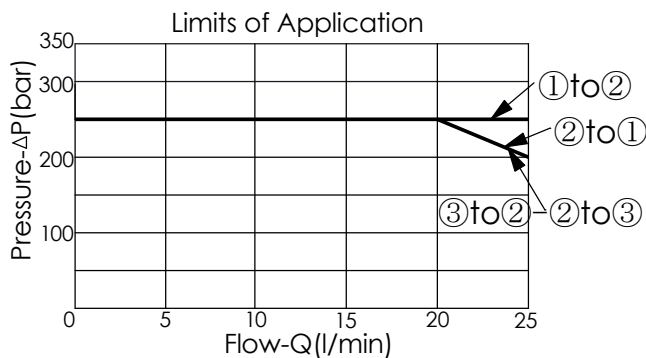
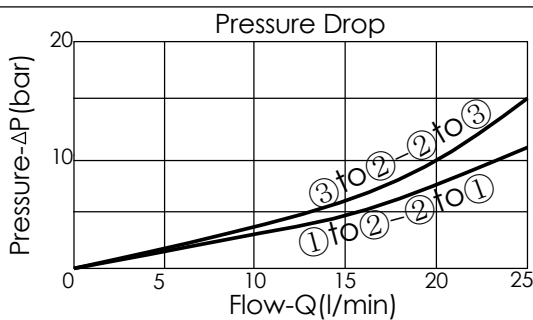
Filtration: 25 µm nominal or better

Minimum Voltage Required:

90 % of nominal

Coils must be ordered separately

Mounting Position: unrestricted



Y	OPERATION
53	Direct-Acting Poppet 3-Way 2-Position Cartridge Style

X	STRUCTURE
3C	3 Ports · 26 Watt. Coil Ø 16 mm tube

Z	OPTIONS
N	Non-adjustable
P	Push Style Manual Override