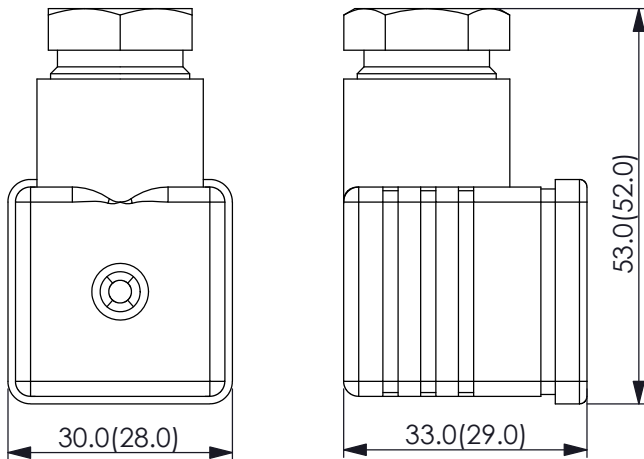
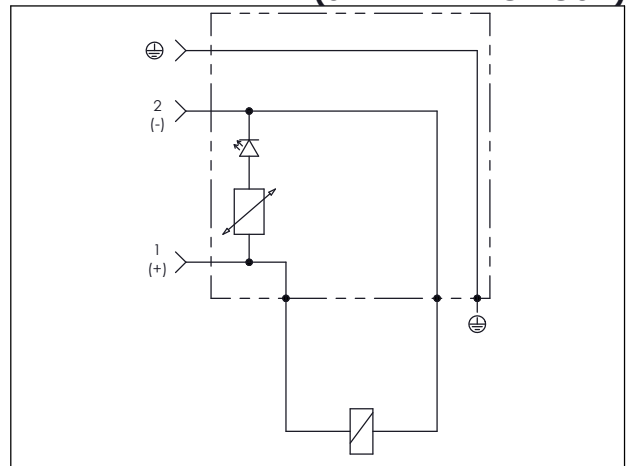
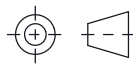


DIN 43650 CONNECTORS
(STANDARD CIRCUIT)

Ordering Code: **ED-30-X-10-Z**



UNIT:mm



TECHNICAL DATA

Number of poles	2+Earth
Nominal current capacity	10A
Max. current capacity	16A
Contact resistance	4mΩ
Max. wire section area	1.5mm ²
Cable gland thread Pg 9	DIN40430
Tightening torque	3-4 Nm
Cable diameter	6-8mm
Electrical insulation Class C	DIN VED 0110
Protection Class IP65	DIN 40050 part9

X	CIRCUIT	
D	Standard Circuit with LED	

Z	VOLTAGE	
D	DC 24V	
	DC 12V	